

The Defender Series benchtop fume hood has been a cornerstone of our ventilation offering for decades and continues to provide customers with some of the best value in the market. Loaded with standard features, the Defender Series gives customers flexibility and durability not often found in other benchtop hoods all while staying within budget without having to make compromises.

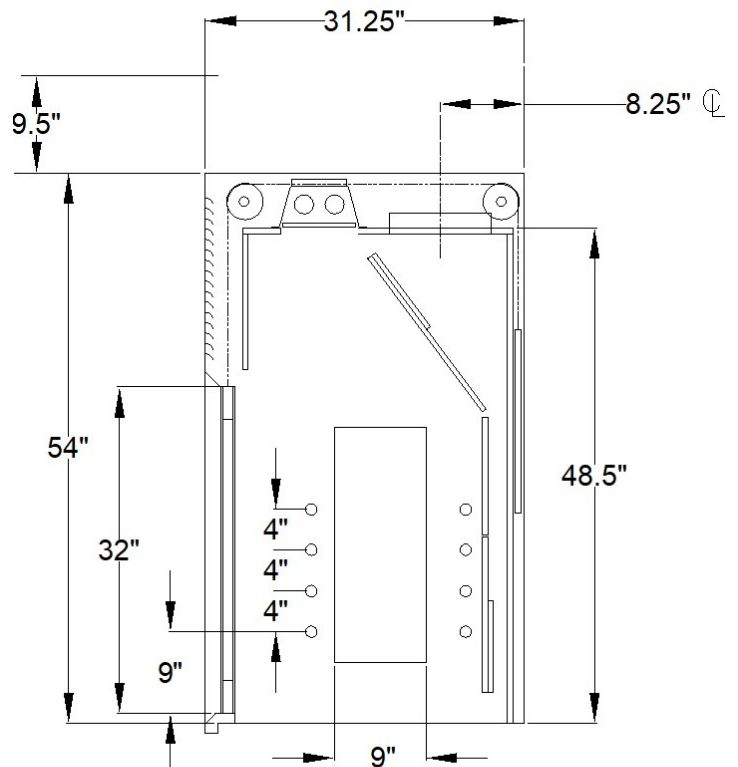


OPTIONAL EQUIPMENT

- Remote -controlled plumbing fixtures with chrome handles, pre-piped with flex hose or hard copper
- Multiple sash options - vertical rising (standard), horizontal, combination, interlocking vertical (disappearing post)
- Sash Stops
- Air Monitor/Alarm
- Ceiling Enclosure
- Countertops
- Base Cabinet
- Blower

PERFORMANCE AND AFFORDABILITY - WITHOUT COMPROMISE

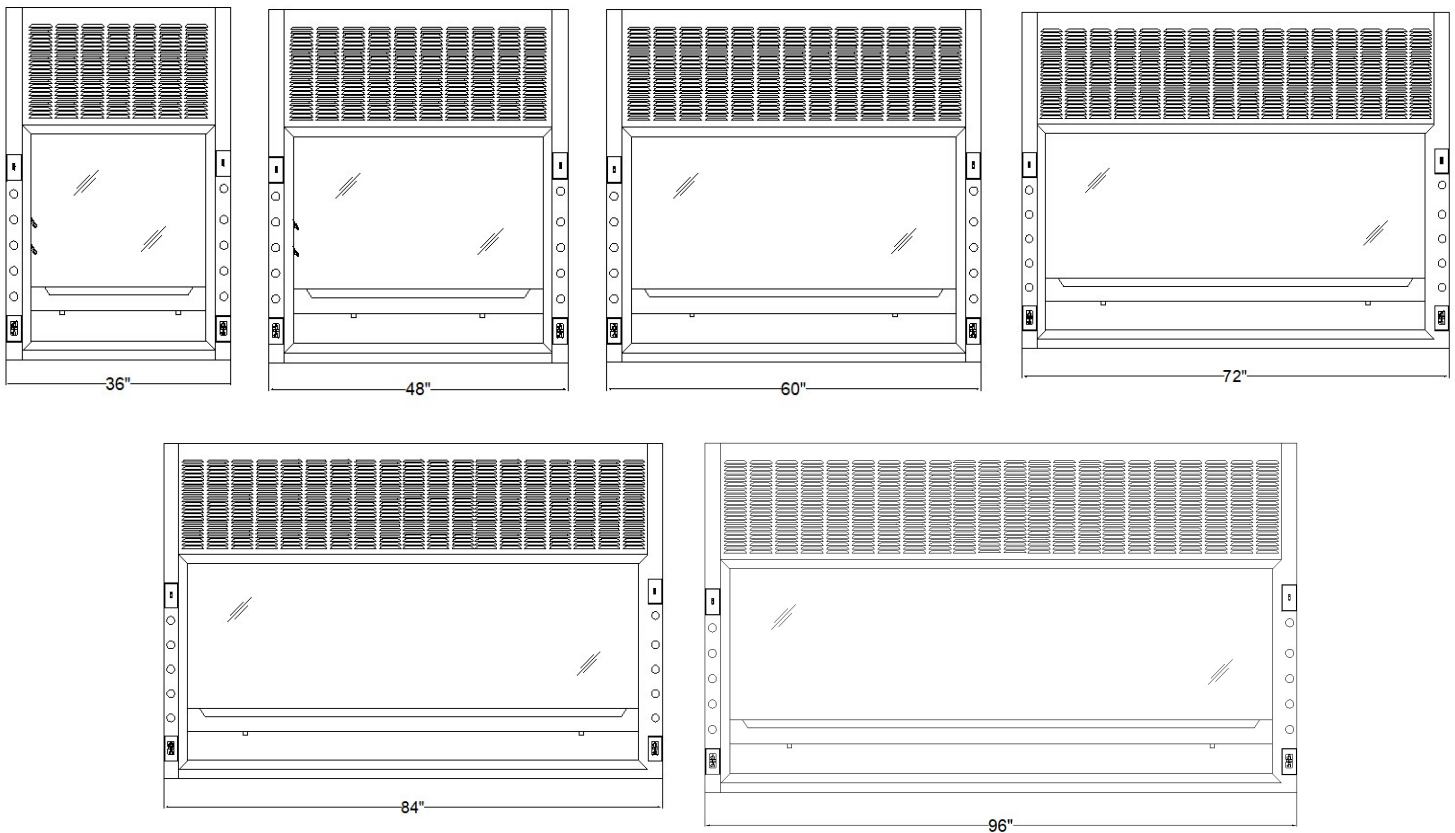
- 16g galvanized superstructure framework
- Stainless steel sash frame, airfoil and guides
- High-flow louvered front panel design
- Three-piece baffle system with dampers
- LED lighting for improved visibility
- Chemical resistant poly resin liner
- Chemical resistant powder coat finish
- Removable side panels
- ASHRAE-110 tested and approved
- Available for Quick-Ship (2 week lead time)



Offered in a wide variety of sizes ranging from 36" up to 96", the versatile Defender Series benchtop hood is built to suit your needs. With a flush-wall design and recessed counter-weight, the hood can be positioned directly against any back wall of your lab helping maximize space savings. Custom hood depths and heights are also available to accommodate specialty equipment or procedures.

PART NUMBER	DIMENSIONS			WORKSURFACE			HOOD OPENING		CFM @ 18"*	CFM @ 28"*	STATIC PRESSURE	HOOD WEIGHT
	W	H	D	W	H	D	W	H				
BV3654	36"	54"	31.125"	36"	1.25"	30"	28"	28"	350	585	.35"	375
BV4854	48"	54"	31.125"	48"	1.25"	30"	40"	28"	500	835	.35"	453
BV6054	60"	54"	31.125"	60"	1.25"	30"	52"	28"	650	1085	.35"	491
BV7254	72"	54"	31.125"	72"	1.25"	30"	64"	28"	800	1335	.35"	541
BV8454	84"	54"	31.125"	84"	1.25"	30"	76"	28"	950	1585	.35"	576
BV9654	96"	54"	31.125"	96"	1.25"	30"	88"	28"	1100	1835	.35"	610

\*CFM calculated using 100 fpm



STANDARD COLOR OPTIONS (CUSTOM COLOR-MATCH AVAILABLE)

