



**LabFurniture.com**

# Table of Contents

Infinity Bench	4 - 6
Accutech Table	7 - 9
Casework Overview and Numbering System	10 - 11
Base Cabinets - 35"	12 - 17
35" Fume Hood and Sink Base Cabinets	18 - 19
29" Base Cabinets	19 - 22
Mobile Base Cabinets	22
Corner Base Cabinets	23
Flammable Storage Cabinets	24
Acid Storage Cabinets	24
Counter-tops	25
Wall Cases	26 - 28
Wall Corner Cases	28
Floor Cases	29 - 30
Aprons	31
Knead Space Rails and Panels	32
Utility Tables	33 - 34
Filler Panels	34
Accessories	35 - 36
Fume Hoods	37
Bench-Top Fume Hoods Options	38
Fume Hood Series	39 - 44



# INFINITY BENCH

The Infinity Bench System combines heavy duty construction, ruggedness, and high-quality materials, built into a flexible system that can be utilized over a broad range of use cases. Combining features such as electrical, data, and various shelving configurations into a single package, while still giving customers the ability to add plumbing and custom configurations based on their specific needs.

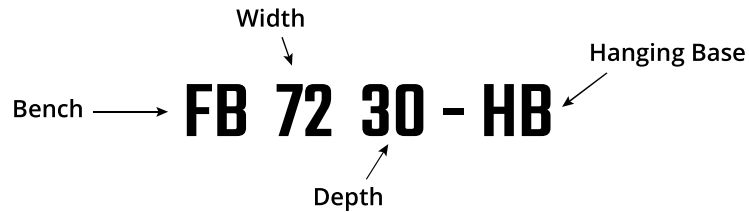
With the Infinity System being SEFA certified and UL listed, it ensures customers receive the highest quality laboratory bench system that is able to stand up to the day-to-day rigors of any laboratory setting.

With single and double-sided shared frame configurations, the Infinity Bench gives you the ability to customize any space, big or small, and maximize its usability while giving you solutions that fit within almost any budget. Our system is engineered to be adaptable and give customers the ability to reconfigure their spaces, plug-and-play accessories, add or remove benches, all while fitting within the constraints of unique spaces.



# INFINITY BENCH NUMBERING SYSTEM

The Infinity Bench system uses a simple base structure part numbering scheme showing width, depth and hanging base cabinet accessory package. Additional features such as plumbing services are added as needed to quote and orders based on customer needs.



## Number Code-

1st Two Letters = Type of Product  
1st Number = Width  
2nd Number = Depth

## Letter Code-

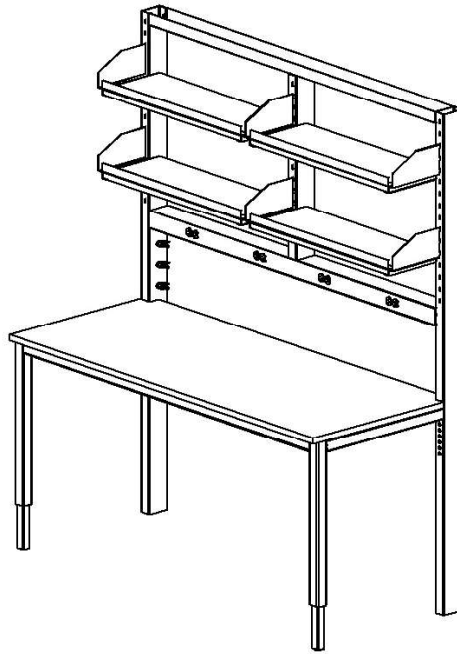
HB = Hanging Base Cabinet  
FB = Flexible Bench/Infinity Bench  
G = Glides  
C = Casters



## Product Specifications

- 14ga Steel Tube Construction
- Up to 3 plumbing fixtures per side with integrated electrical and data outlets.
- Standard 4 duplex receptacle outlets on single circuit. Multiple circuit wiring available.
- Knocked down construction with easy two part assembly.
- Chemically resistant epoxy powder coat.
- Accessory options include: hanging base cabinets, modesty panels, lower shelf units.
- SEFA Certified & UL Listed.

# INFINITY BENCH



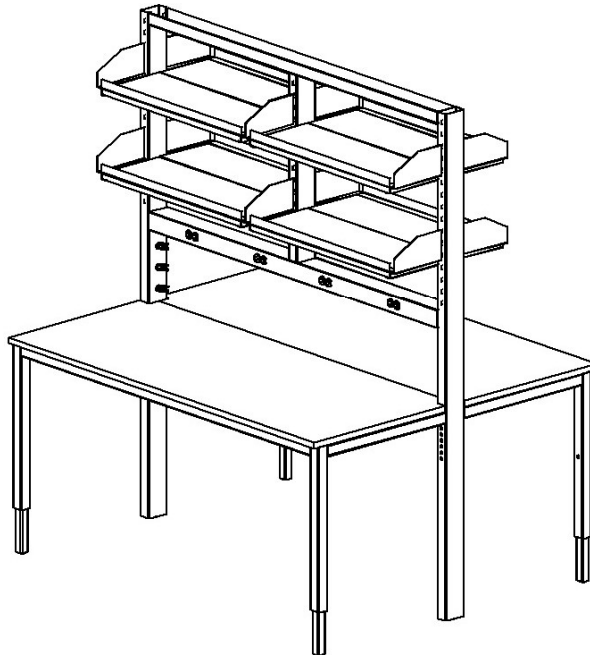
FB4830G  
FB4830C

FB6030G  
FB6030C

FB7230G  
FB7230C

FB8430G  
FB8430C

FB9630G  
FB9630C



FBSF4830G  
FBSF4830C

FBSF6030G  
FBSF6030C

FBSF7230G  
FBSF7230C

FBSF8430G  
FBSF8430C

FBSF9630G  
FBSF9630C

# ACCUTECH TABLES

The iQ Labs Accutech Table System brings next level flexibility into your space. Height adjustability, a broad range of sizes and configurations, various top materials and hanging cabinet options make the Accutech Table the perfect furniture system for any research, testing, education or chemistry setting.

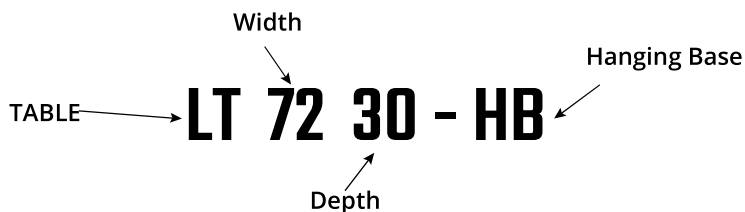
Similar to its Infinity Bench counterpart, it's SEFA certified ensuring you are receiving the highest quality table system on the market.

The Accutech system is highly configurable to fit any space. Custom sizing and configurations are available upon request. The tables are engineered to ship knocked down, or fully welded with both styles having either fixed or adjustable-height options.



# ACCUTECH TABLE NUMBERING SYSTEM

iQ Labs Accutech table system uses the same base structure part numbering scheme as the Infinity Bench showing width, depth and hanging base cabinet accessory package.



## Number Code-

1st Two Letters = Type of Product  
1st Number = Width  
2nd Number = Depth

## Letter Code-

HB = Hanging Base Cabinet  
LT = Lab Table  
G = Glides  
C = Casters

## Product Specifications



14ga Steel Tube Construction

Pin-height adjustable from 29" to 37"

Optional undermount electrical chase

Knocked down construction with easy two part assembly.

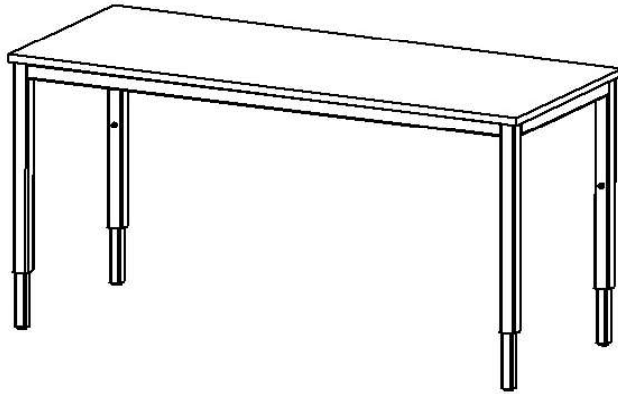
Optional fully welded option with additional support legs for heavy load applications.

Chemically resistant epoxy powder coat.

Accessory options include: hanging base cabinets, modesty panels, lower shelf units.

SEFA Certified.

# ACCUTECH TABLE



LT4830G  
LT4830C

LT6030G  
LT6030C

LT7230G  
LT7230C

LT8430G  
LT8430C

LT9630G  
LT9630C





## Casework

Following our half-century tradition of manufacturing high quality laboratory equipment, we offer a complete line of metal casework for the rigorous demands of the professional laboratory.

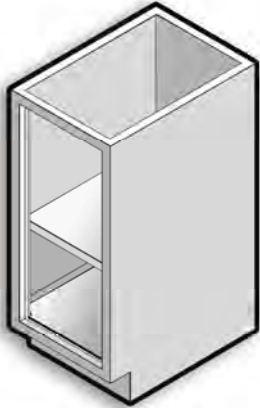
LabFurniture.com is your go-to for laboratory furnishings, where you will get the highest quality, durable products to meet your needs. Whether you are designing your space from scratch or wish to renovate an existing one, we have you covered with choices that fit your needs.. We are one of the fastest-growing lab casework suppliers in Michigan providing customized solutions to suit your lab or educational space. Our team ensures the lab cabinets are customized according to your environment and we promise extraordinary fit and finish in every product that we sell. Our commitment is to build the best cabinets that can stand up to the harshest of environments but still have the flexibility to be used for many different purposes.



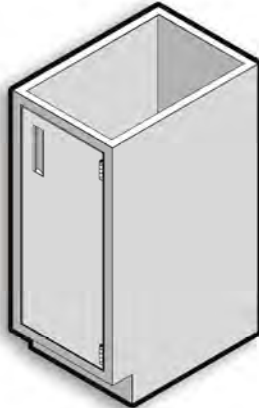


## Base Cabinets - 35" High

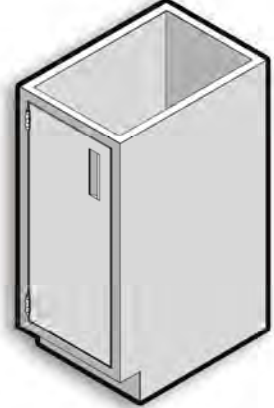
Counter/standing height (35" high) base cabinets come in a wide variety of widths and door/drawer combinations. All cabinets are 22" deep and come standard with one shelf. Additional shelves are available.



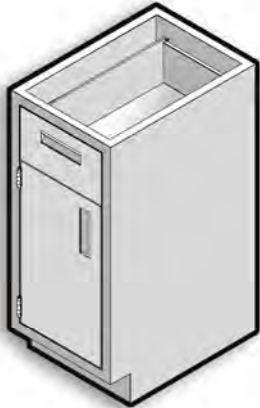
B3515 - 000  
B3518 - 000  
B3524 - 000



B3515 - 100L  
B3518 - 100L  
B3524 - 100L



B3515 - 100R  
B3518 - 100R  
B3524 - 100R



B3515 - 110L  
B3518 - 110L  
B3524 - 110L



B3515 - 110R  
B3518 - 110R  
B3524 - 110R



B3515 - 102L  
B3518 - 102L  
B3524 - 102L



B3515 - 102R  
B3518 - 102R  
B3524 - 102R



B3515 - F20  
B3518 - F20  
B3524 - F20



B3515 - 040  
B3518 - 040  
B3524 - 040

# Base Cabinets - 35" High



B3515 - 032  
B3518 - 032  
B3524 - 032



B3515 - 024  
B3518 - 024  
B3524 - 024



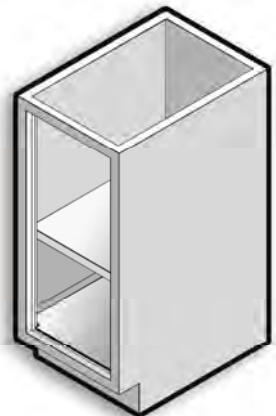
B3515 - 008  
B3518 - 008  
B3524 - 008



B3515 - F12  
B3518 - F12  
B3524 - F12



B3515 - FF0  
B3518 - FF0  
B3524 - FF0



B3530 - 000  
B3536 - 000  
B3542 - 000  
B3548 - 000



B3530 - 200  
B3536 - 200  
B3542 - 200  
B3548 - 200



B3530 - 110LSP  
B3536 - 110LSP  
B3542 - 110LSP  
B3548 - 110LSP



B3530 - 110RSP  
B3536 - 110RSP  
B3542 - 110RSP  
B3548 - 110RSP

# Base Cabinets - 35" High



B3530 - 210  
 B3536 - 210  
 B3542 - 210  
 B3548 - 210



B3530 - 220  
 B3536 - 220  
 B3542 - 220  
 B3548 - 220



B3530 - 212A  
 B3536 - 212A  
 B3542 - 212A  
 B3548 - 212A



B3530 - 212B  
 B3536 - 212B  
 B3542 - 212B  
 B3548 - 212B



B3530 - 204  
 B3536 - 204  
 B3542 - 204  
 B3548 - 204

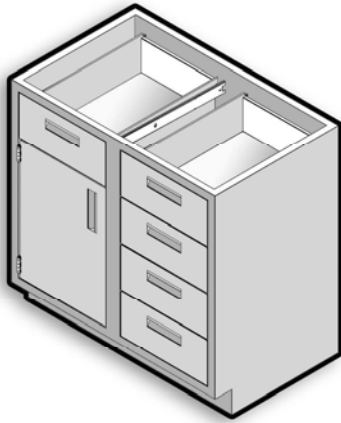


B3530 - 104BL  
 B3536 - 104BL  
 B3542 - 104BL  
 B3548 - 104BL



B3530 - 104BR  
 B3536 - 104BR  
 B3542 - 104BR  
 B3548 - 104BR

# Base Cabinets - 35" High



B3530 - 150L  
 B3536 - 150L  
 B3542 - 150L  
 B3548 - 150L



B3530 - 150R  
 B3536 - 150R  
 B3542 - 150R  
 B3548 - 150R



B3530 - 142L  
 B3536 - 142L  
 B3542 - 142L  
 B3548 - 142L



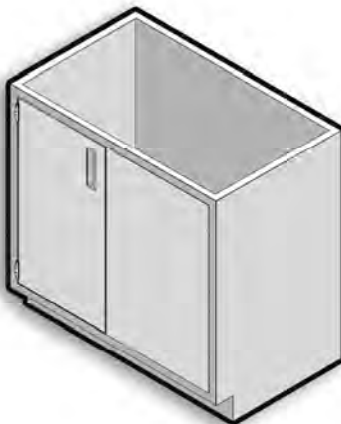
B3530 - 142R  
 B3536 - 142R  
 B3542 - 142R  
 B3548 - 142R



B3530 - 132L  
 B3536 - 132L  
 B3542 - 132L  
 B3548 - 132L



B3530 - 132R  
 B3536 - 132R  
 B3542 - 132R  
 B3548 - 132R



B3530 - 100LSP  
 B3536 - 100LSP  
 B3542 - 100LSP  
 B3548 - 100LSP



B3530 - 100RSP  
 B3536 - 100RSP  
 B3542 - 100RSP  
 B3548 - 100RSP



B3530 - 140AL  
 B3536 - 140AL  
 B3542 - 140AL  
 B3548 - 140AL

# Base Cabinets - 35" High



B3530 - 140AR  
 B3536 - 140AR  
 B3542 - 140AR  
 B3548 - 140AR



B3530 - 134L  
 B3536 - 134L  
 B3542 - 134L  
 B3548 - 134L



B3530 - 134R  
 B3536 - 134R  
 B3542 - 134R  
 B3548 - 134R



B3530 - 048A  
 B3536 - 048A  
 B3542 - 048A  
 B3548 - 048A



B3530 - 048B  
 B3536 - 048B  
 B3542 - 048B  
 B3548 - 048B



B3530 - 040  
 B3536 - 040  
 B3542 - 040  
 B3548 - 040



B3530 - 050  
 B3536 - 050  
 B3542 - 050  
 B3548 - 050



B3530 - 060  
 B3536 - 060  
 B3542 - 060  
 B3548 - 060



B3530 - 080  
 B3536 - 080  
 B3542 - 080  
 B3548 - 080

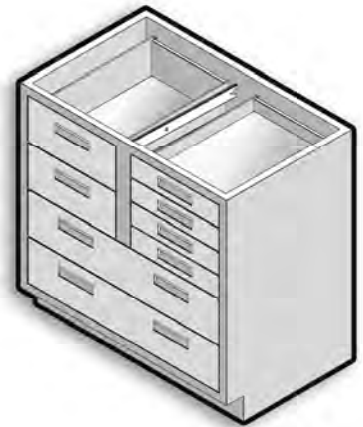
# Base Cabinets - 35" High



B3530 - 024  
 B3536 - 024  
 B3542 - 024  
 B3548 - 024



B3530 - 032  
 B3536 - 032  
 B3542 - 032  
 B3548 - 032



B3530 - 044A  
 B3536 - 044A  
 B3542 - 044A  
 B3548 - 044A



B3530 - 044B  
 B3536 - 044B  
 B3542 - 044B  
 B3548 - 044B



B3530 - 048C  
 B3536 - 048C  
 B3542 - 048C  
 B3548 - 048C



B3530 - 070A  
 B3536 - 070A  
 B3542 - 070A  
 B3548 - 070A



B3530 - 070B  
 B3536 - 070B  
 B3542 - 070B  
 B3548 - 070B



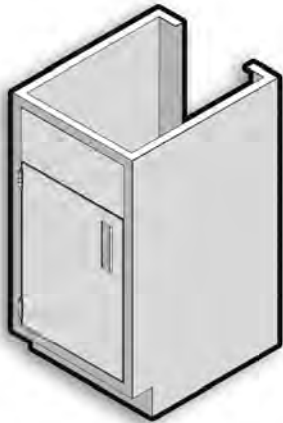
B3530 - 052  
 B3536 - 052  
 B3542 - 052  
 B3548 - 052



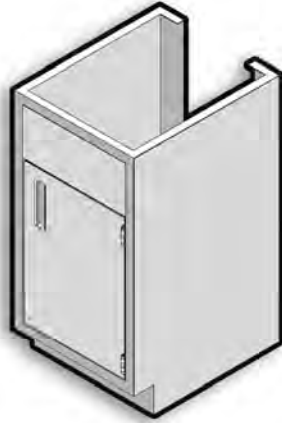
B3530 - 008  
 B3536 - 008  
 B3542 - 008  
 B3548 - 008



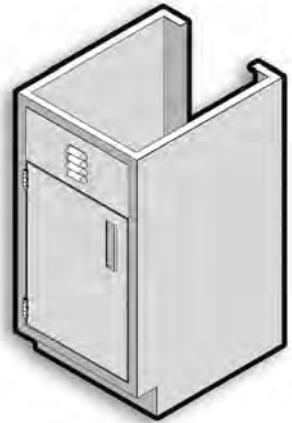
# Fume Hood & Sink Base Cabinets - 35" High



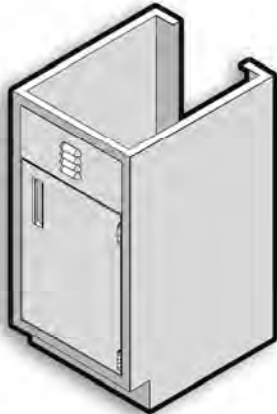
Sink Base  
B3518 - 10SL  
B3524 - 10SL



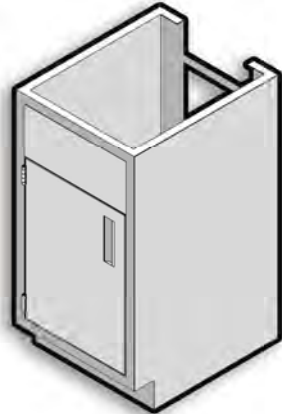
Sink Base  
B3518 - 10SR  
B3524 - 10SR



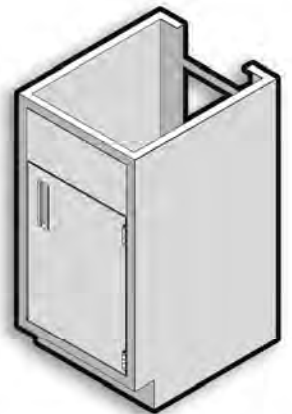
Sink Base  
B3518 - 10SL LVRS  
B3524 - 10SL LVRS



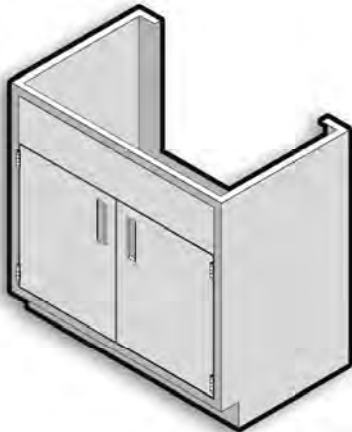
Sink Base  
B3518 - 10SR LVRS  
B3524 - 10SR LVRS



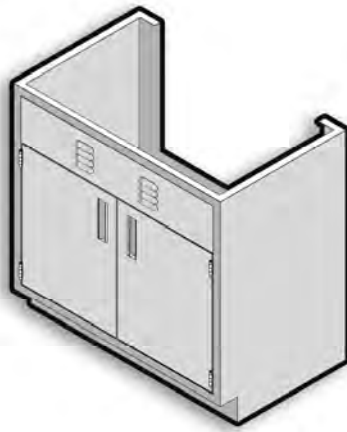
Hood Base  
B3518 - 10PL  
B3524 - 10PL



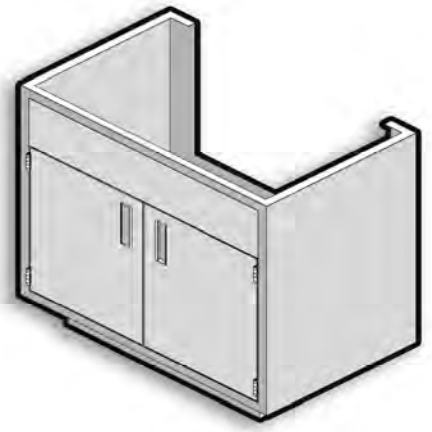
Hood Base  
B3518 - 10PR  
B3524 - 10PR



Sink Base  
B3530 - 20S  
B3536 - 20S  
B3542 - 20S  
B3548 - 20S  
B3552 - 20S  
B3558 - 20S

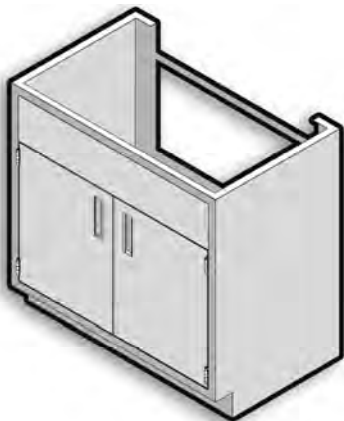


Louvered Sink Base  
B3530 - 20S LVRS  
B3536 - 20S LVRS  
B3542 - 20S LVRS  
B3548 - 20S LVRS  
B3552 - 20S LVRS  
B3558 - 20S LVRS

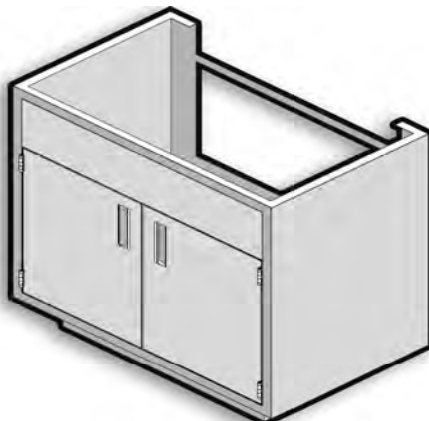


Sink Island Base  
B3552 - 20SI  
B3558 - 20SI

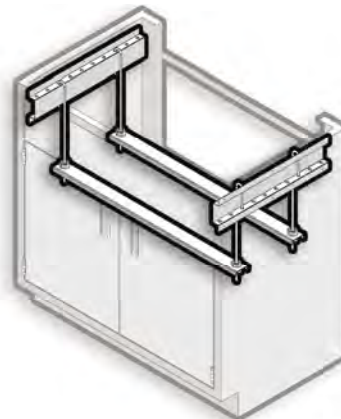
## Fume Hood & Sink Base Cabinets - 35" High



**Hood Base**  
 B3530 - 20P  
 B3536 - 20P  
 B3542 - 20P  
 B3548 - 20P  
 B3552 - 20P  
 B3558 - 20P



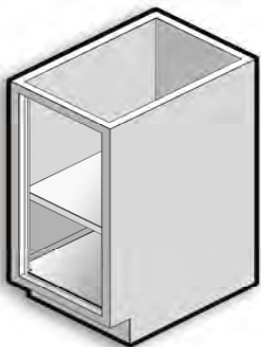
**Hood Island Base**  
 B3552 - 20PI  
 B3558 - 20PI



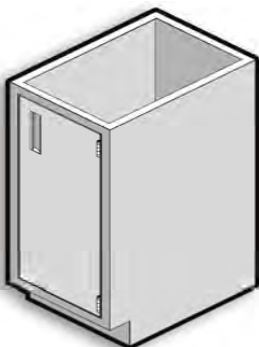
**Sink Support Assembly**  
 SS - 14  
 SS - 18  
 SS - 24  
 SS - 30  
 SS - 36  
 SS - 48  
 SS - 52  
 SS - 58

## Base Cabinets - 29" High

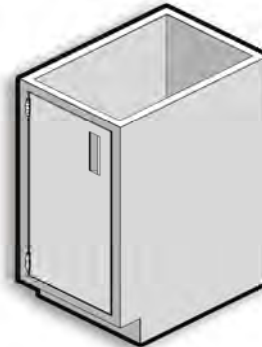
Sitting/desk height (29" high) base cabinets come in a wide variety of widths and door/drawer combinations. All cabinets are 22" deep and come standard with one shelf. Additional shelves are available.



B2915 - 000  
 B2918 - 000  
 B2924 - 000  
 B2930 - 000  
 B2936 - 000  
 B2942 - 000  
 B2948 - 000

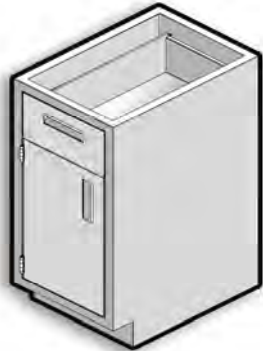


B2915 - 100L  
 B2918 - 100L  
 B2924 - 100L



B2915 - 100R  
 B2918 - 100R  
 B2924 - 100R

# Base Cabinets - 29" High



B2915 - 110L  
B2918 - 110L  
B2924 - 110L



B2915 - 110R  
B2918 - 110R  
B2924 - 110R



B2915 - 102L  
B2918 - 102L  
B2924 - 102L



B2915 - 102R  
B2918 - 102R  
B2924 - 102R



B2915 - 030  
B2918 - 030  
B2924 - 030



B2915 - F10  
B2918 - F10  
B2924 - F10



B2915 - B11  
B2918 - B11  
B2924 - B11

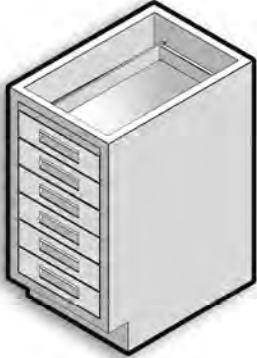


B2915 - 022  
B2918 - 022  
B2924 - 022

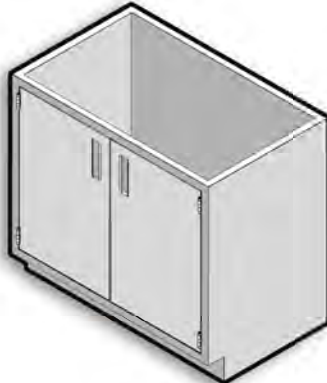


B2915 - F02  
B2918 - F02  
B2924 - F02

# Base Cabinets - 29" High



B2915 - 006  
 B2918 - 006  
 B2924 - 006



B2930 - 200  
 B2936 - 200  
 B2942 - 200  
 B2948 - 200



B2930 - 210  
 B2936 - 210  
 B2942 - 210  
 B2948 - 210



B2930 - 220  
 B2936 - 220  
 B2942 - 220  
 B2948 - 220



B2930 - 040  
 B2936 - 040  
 B2942 - 040  
 B2948 - 040



B2930 - 050  
 B2936 - 050  
 B2942 - 050  
 B2948 - 050



B2930 - 060  
 B2936 - 060  
 B2942 - 060  
 B2948 - 060

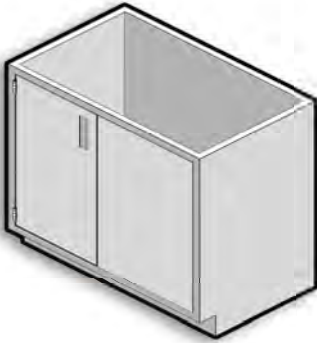


B2930 - 044  
 B2936 - 044  
 B2942 - 044  
 B2948 - 044

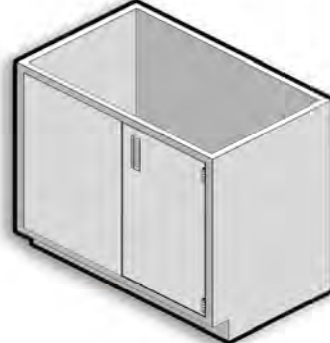


B2930 - 006  
 B2936 - 006  
 B2942 - 006  
 B2948 - 006

## Base Cabinets - 29" High



B2930 - 100LSP  
 B2936 - 100LSP  
 B2942 - 100LSP  
 B2948 - 100LSP



B2930 - 100RSP  
 B2936 - 100RSP  
 B2942 - 100RSP  
 B2948 - 100RSP



B2930 - 110LSP  
 B2936 - 110LSP  
 B2942 - 110LSP  
 B2948 - 110LSP



B2930 - 110RSP  
 B2936 - 110RSP  
 B2942 - 110RSP  
 B2948 - 110RSP

## Mobile Base Cabinets

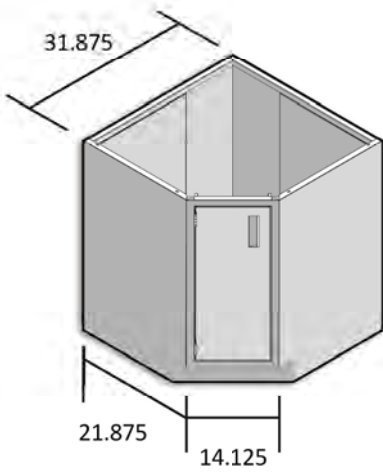


MB2915 - 030  
 MB2918 - 030  
 MB2924 - 030  
 MB2930 - 030

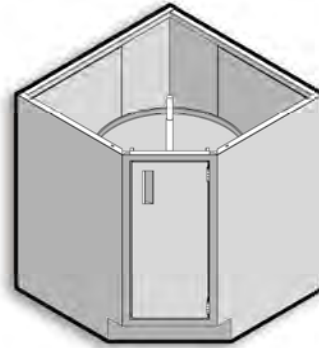


MB2915 - 040  
 MB2918 - 040  
 MB2924 - 040  
 MB2930 - 040

# Corner Base Cabinets

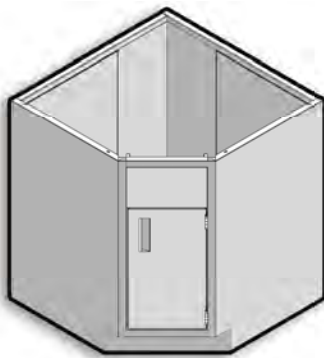


C2914 - 100R  
C3514 - 100R

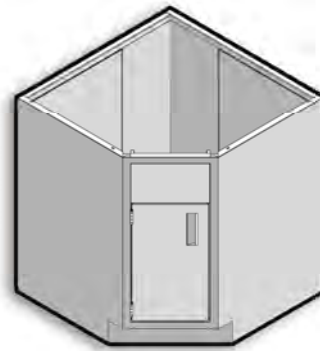


C2914 - 100L  
C3514 - 100L

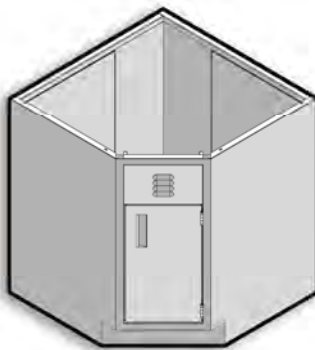
*Shown with optional lazy Susan*



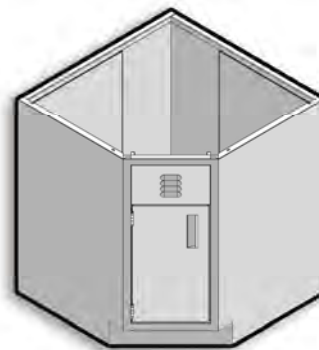
C2914 - 10SL  
C3514 - 10SL



C2914 - 10SR  
C3514 - 10SR



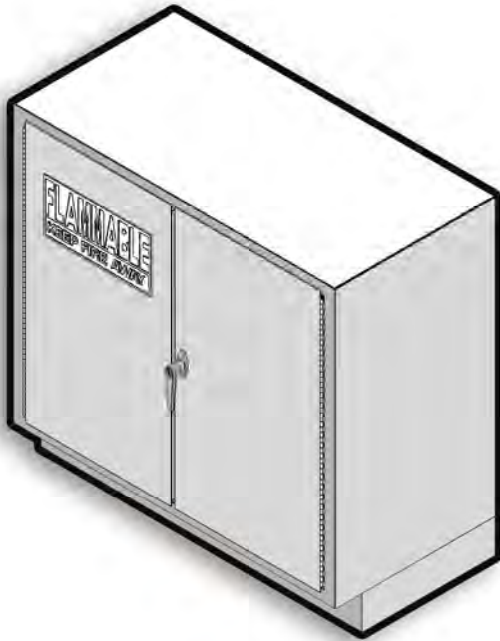
C2914 - 10SL LVRS  
C3514 - 10SL LVRS



C2914 - 10SR LVRS  
C3514 - 10SR LVRS

## Flammable Storage Cabinets

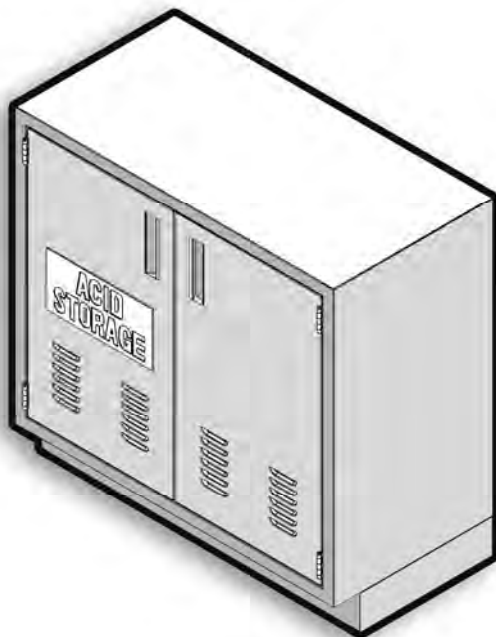
Flammable storage cabinets are double-walled constructed with insulation. All cabinets are available in 18" and 22" deep and come standard with one shelf.



FLAM2924 - 100  
FLAM2930 - 200  
FLAM2936 - 200  
FLAM2942 - 200  
FLAM2948 - 200  
FLAM2952 - 200  
FLAM2958 - 200  
FLAM3524 - 100  
FLAM3530 - 200  
FLAM3536 - 200  
FLAM3542 - 200  
FLAM3548 - 200  
FLAM3552 - 200  
FLAM3558 - 200

## Acid Storage Cabinets

Acid storage cabinets are lined with polyethylene for maximum corrosion protection. All cabinets are available in 18" and 22" deep and come standard with one shelf.



ASB29 18 - 10P  
ASB29 24 - 10P  
ASB29 30 - 20P  
ASB29 36 - 20P  
ASB29 42 - 20P  
ASB29 48 - 20P  
ASB29 52 - 20P  
ASB29 58 - 20P  
ASB35 18 - 10P  
ASB35 24 - 10P  
ASB35 30 - 20P  
ASB35 36 - 20P  
ASB35 42 - 20P  
ASB35 48 - 20P  
ASB35 52 - 20P  
ASB35 58 - 20P

# Counter Tops

## Maximum Chemical Resistance

### Phenolic Resin

- A solid composite fused under heat and pressure.
- Excellent chemical resistance.
- Uniform throughout.
- 1" thick = 7.2 lbs./sq. ft.
- Field cut with carbide blades and bits.
- Color: Black – also available in colors and patterns with a modified surface.

### Epoxy Resin

- A molded monolithic epoxy.
- Excellent chemical resistance.
- Uniform throughout.
- 1" thick = 11.5 lbs./sq. ft.
- Specific molds for contoured work surfaces and sinks.
- Standard fume hood deck – dished epoxy.
- Color: Black – other colors available.



## Moderate Chemical Resistance

### Chemsurf Laminate

- Modified resin surface laminate
- Enhanced for chemical resistance
- Moderately lower cost
- Many colors and patterns to showcase

### Laminated Phenolic Core

- Chemical resistant laminate
- Moderately lower cost
- Many colors and patterns to showcase

## Special Purpose Tops

### Standard Laminate

- For chemical-free surfaces
- Lower cost
- Colors and patterns for any decor

### Stainless Steel

- Conductive
- Easy to clean
- Costly



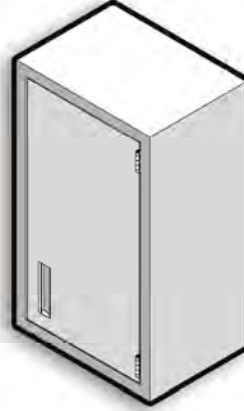
# Wall Cases

Wall cases are 13" deep and come standard with one, two or three shelves, depending upon the height of the unit. Non-standard 16"-deep wall cases are also available. To order a 16" deep unit, please add the suffix -16(deep) after the product number.

Wall cases 30" wide and wider may be ordered as dual-entry units. Dual-entry units are open on two sides or have doors on two sides, to allow access from two directions. To order a dual-entry unit, add the suffix -2SidesOpen after the product number, and double the number of doors (the first number after the dash) from 2 to 4. For example, the product number for a 30" x 36" dual-entry wall case with glass hinged doors would be W30(h)36(w)-4GH-2SidesOpen.



W2418 - 1SH(L)  
 W3018 - 1SH(L)  
 W3618 - 1SH(L)  
 W4818 - 1SH(L)  
 W2424 - 1SH(L)  
 W3024 - 1SH(L)  
 W3624 - 1SH(L)  
 W4824 - 1SH(L)



W2418 - 1SH(R)  
 W3018 - 1SH(R)  
 W3618 - 1SH(R)  
 W4818 - 1SH(R)  
 W2424 - 1SH(R)  
 W3024 - 1SH(R)  
 W3624 - 1SH(R)  
 W4824 - 1SH(R)

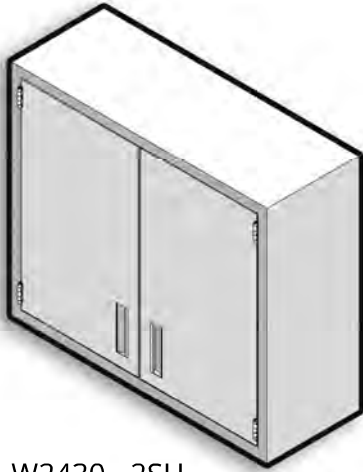


W2418 - 1GH(L)  
 W3018 - 1GH(L)  
 W3618 - 1GH(L)  
 W4818 - 1GH(L)  
 W2424 - 1GH(L)  
 W3024 - 1GH(L)  
 W3624 - 1GH(L)  
 W4824 - 1GH(L)

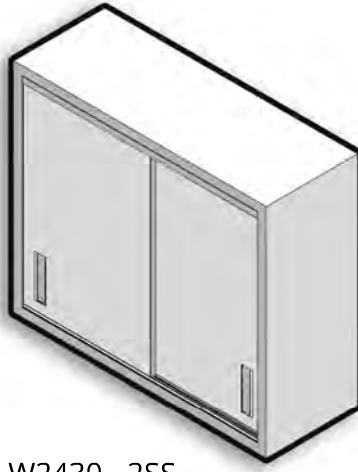


W2418 - 1GH(R)  
 W3018 - 1GH(R)  
 W3618 - 1GH(R)  
 W4818 - 1GH(R)  
 W2424 - 1GH(R)  
 W3024 - 1GH(R)  
 W3624 - 1GH(R)  
 W4824 - 1GH(R)

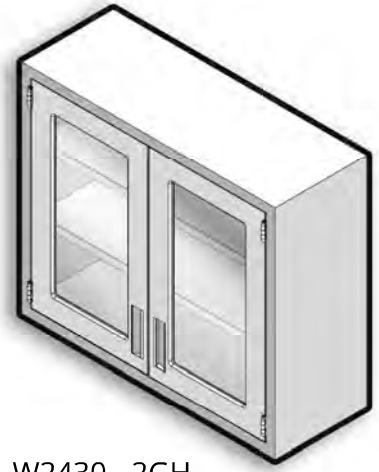
# Wall Cases



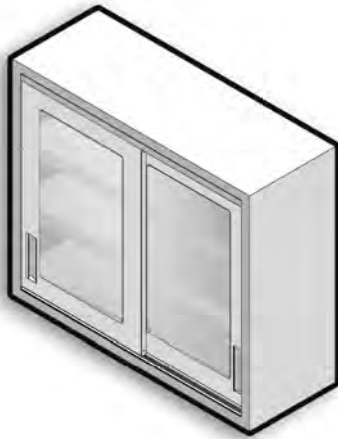
W2430 - 2SH  
 W2436 - 2SH  
 W2442 - 2SH  
 W2448 - 2SH  
 W3030 - 2SH  
 W3036 - 2SH  
 W3042 - 2SH  
 W3048 - 2SH  
 W3630 - 2SH  
 W3636 - 2SH  
 W3642 - 2SH  
 W3648 - 2SH  
 W4830 - 2SH  
 W4836 - 2SH  
 W4842 - 2SH  
 W4848 - 2SH



W2430 - 2SS  
 W2436 - 2SS  
 W2442 - 2SS  
 W2448 - 2SS  
 W3030 - 2SS  
 W3036 - 2SS  
 W3042 - 2SS  
 W3048 - 2SS  
 W3630 - 2SS  
 W3636 - 2SS  
 W3642 - 2SS  
 W3648 - 2SS  
 W4830 - 2SS  
 W4836 - 2SS  
 W4842 - 2SS  
 W4848 - 2SS



W2430 - 2GH  
 W2436 - 2GH  
 W2442 - 2GH  
 W2448 - 2GH  
 W3030 - 2GH  
 W3036 - 2GH  
 W3042 - 2GH  
 W3048 - 2GH  
 W3630 - 2GH  
 W3636 - 2GH  
 W3642 - 2GH  
 W3648 - 2GH  
 W4830 - 2GH  
 W4836 - 2GH  
 W4842 - 2GH  
 W4848 - 2GH



Wall 24 30 - 2GS  
 Wall 24 36 - 2GS  
 Wall 24 42 - 2GS  
 Wall 24 48 - 2GS  
 Wall 30 30 - 2GS  
 Wall 30 36 - 2GS  
 Wall 30 42 - 2GS  
 Wall 30 48 - 2GS  
 Wall 36 30 - 2GS  
 Wall 36 36 - 2GS  
 Wall 36 42 - 2GS  
 Wall 36 48 - 2GS  
 Wall 48 30 - 2GS  
 Wall 48 36 - 2GS  
 Wall 48 42 - 2GS  
 Wall 48 48 - 2GS



W2430 - 2GFS  
 W2436 - 2GFS  
 W2442 - 2GFS  
 W2448 - 2GFS  
 W3030 - 2GFS  
 W3036 - 2GFS  
 W3042 - 2GFS  
 W3048 - 2GFS  
 W3630 - 2GFS  
 W3636 - 2GFS  
 W3642 - 2GFS  
 W3648 - 2GFS  
 W4830 - 2GFS  
 W4836 - 2GFS  
 W4842 - 2GFS  
 W4848 - 2GFS

## Wall Cases



W2418 - 000  
 W2424 - 000  
 W2430 - 000  
 W2436 - 000  
 W2442 - 000  
 W2448 - 000

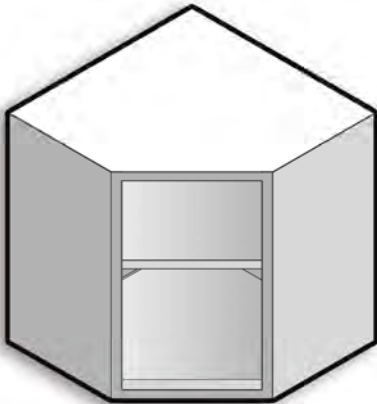
W3618 - 000  
 W3624 - 000  
 W3630 - 000  
 W3636 - 000  
 W3642 - 000  
 W3648 - 000

W3018 - 000  
 W3024 - 000  
 W3030 - 000  
 W3036 - 000  
 W3042 - 000  
 W3048 - 000

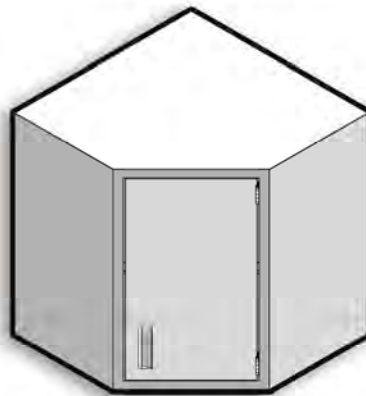
W4818 - 000  
 W4824 - 000  
 W4830 - 000  
 W4836 - 000  
 W4842 - 000  
 W4848 - 000

## Wall Corner Cases

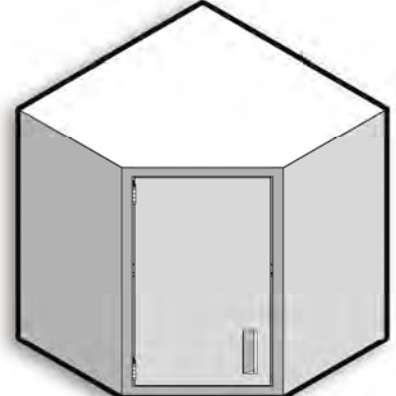
Corner wall cases are 13" deep; non-standard 16"-deep wall cases are also available. To order a 16" deep unit, please add the suffix -16(deep) after the product number.



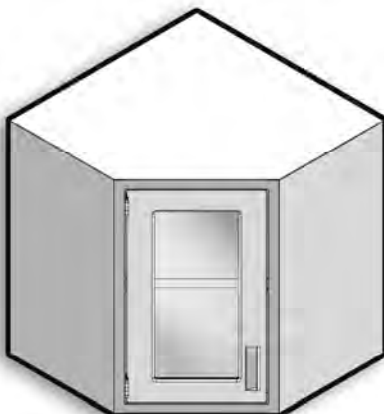
WC3018 - 000  
 WC3618 - 000



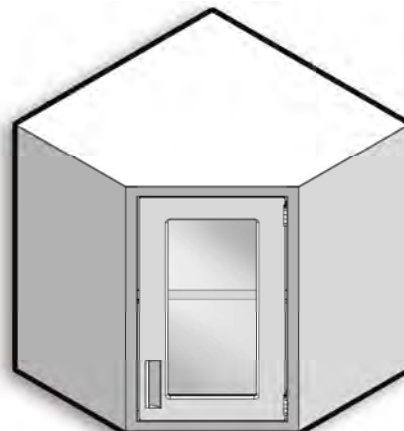
WC3018 - 1SH (R)



WC3018 - 1SH (L)



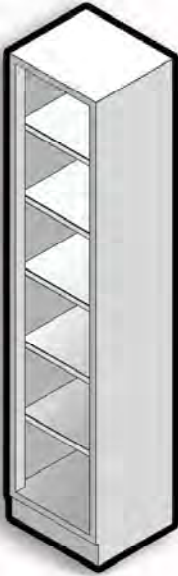
WC3018 - 1GH (L)  
 WC3618 - 1GH (L)



WC3018 - 1GH (R)  
 WC3618 - 1GH (R)

# Floor Cases

Floor cases are 84" high and are available in depths of either 16" or 21.25." All units come standard with five shelves.



F8418 - 000 - 16  
 F8418 - 000 - 21  
 F8424 - 000 - 16  
 F8424 - 000 - 21



F8418 - 1SHL - 16  
 F8418 - 1SHL - 21  
 F8424 - 1SHL - 16  
 F8424 - 1SHL - 21



F8418 - 1SHR - 16  
 F8418 - 1SHR - 21  
 F8424 - 1SHR - 16  
 F8424 - 1SHR - 21



F8418 - 1GHL - 16  
 F8418 - 1GHL - 21  
 F8424 - 1GHL - 16  
 F8424 - 1GHL - 21



F8418 - 1GHR - 16  
 F8418 - 1GHR - 21  
 F8424 - 1GHR - 16  
 F8424 - 1GHR - 21



F8430 - 000 - 16  
 F8430 - 000 - 21  
 F8436 - 000 - 16  
 F8436 - 000 - 21  
 F8442 - 000 - 16  
 F8442 - 000 - 21  
 F8448 - 000 - 16  
 F8448 - 000 - 21

# Floor Cases



F8430 - 2SH - 16  
 F8430 - 2SH - 21  
 F8436 - 2SH - 16  
 F8436 - 2SH - 21  
 F8442 - 2SH - 16  
 F8442 - 2SH - 21  
 F8448 - 2SH - 16  
 F8448 - 2SH - 21



F8430 - 2SS - 16  
 F8430 - 2SS - 21  
 F8436 - 2SS - 16  
 F8436 - 2SS - 21  
 F8442 - 2SS - 16  
 F8442 - 2SS - 21  
 F8448 - 2SS - 16  
 F8448 - 2SS - 21



F8430 - 2GH - 16  
 F8430 - 2GH - 21  
 F8436 - 2GH - 16  
 F8436 - 2GH - 21  
 F8442 - 2GH - 16  
 F8442 - 2GH - 21  
 F8448 - 2GH - 16  
 F8448 - 2GH - 21

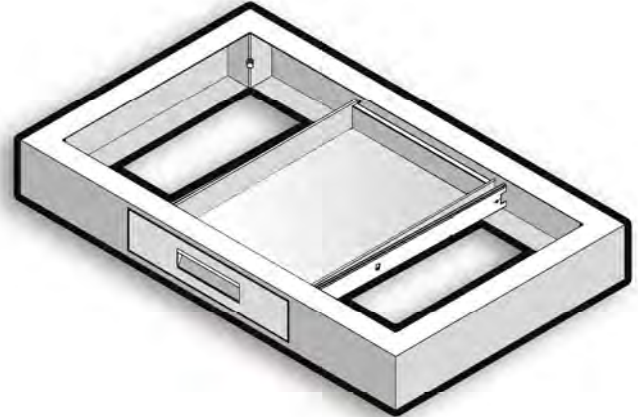
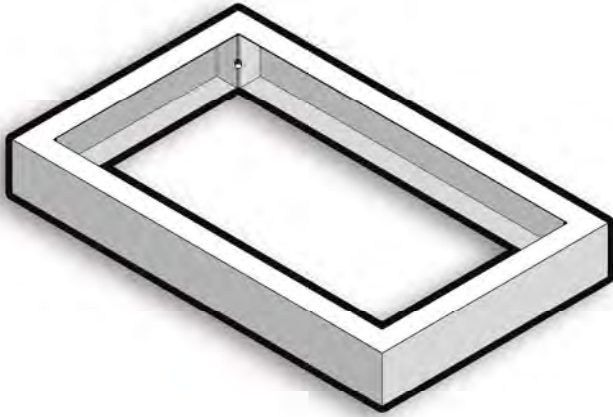


F8430 - 2GSF - 16  
 F8430 - 2GSF - 21  
 F8436 - 2GSF - 16  
 F8436 - 2GSF - 21  
 F8442 - 2GSF - 16  
 F8442 - 2GSF - 21  
 F8448 - 2GSF - 16  
 F8448 - 2GSF - 21

# Aprons

Aprons are 4.5" high and come in standard depths of 22" and 28." The numbers after the dash indicate the number of drawers in a unit.

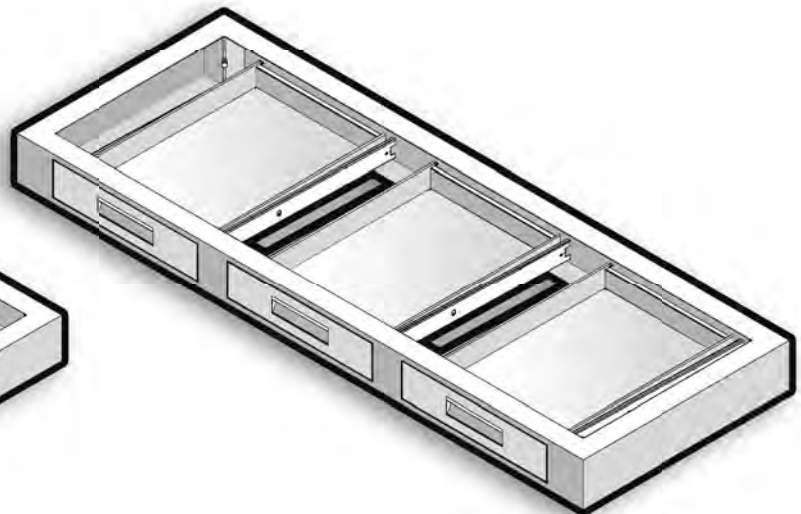
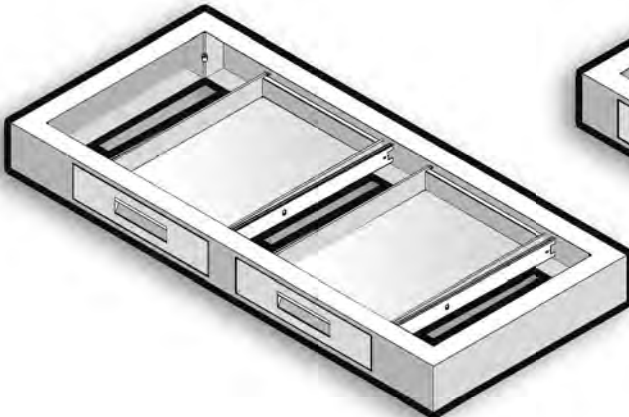
For example, a product number ending in - 001 means that the unit has one drawer.



A042422 - 000  
 A043022 - 000  
 A043622 - 000  
 A044222 - 000  
 A044822 - 000  
 A045422 - 000  
 A046022 - 000  
 A046622 - 000  
 A047222 - 000

A042428 - 000  
 A043028 - 000  
 A043628 - 000  
 A044228 - 000  
 A044828 - 000  
 A045428 - 000  
 A046028 - 000  
 A046628 - 000  
 A047228 - 000

A042422 - 001  
 A043022 - 001  
 A043622 - 001  
 A044222 - 001  
  
 A042428 - 001  
 A043028 - 001  
 A043628 - 001  
 A044228 - 001



A044222 - 002  
 A044822 - 002  
 A045422 - 002  
 A046022 - 002  
 A046622 - 002  
 A047222 - 002

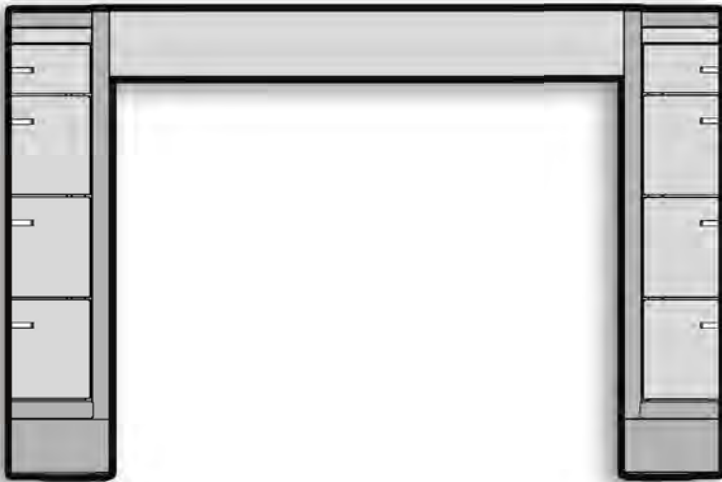
A044228 - 002  
 A044828 - 002  
 A045428 - 002  
 A046028 - 002  
 A046628 - 002  
 A047228 - 002

A047222 - 003  
 A047228 - 003

# Knee Space Rails and Panels

## Knee Space Rails

Knee space rails are 4.5" high and are available in a variety of standard widths.



KSR18(w)  
KSR24(w)  
KSR30(w)  
KSR36(w)  
KSR42(w)  
KSR48(w)  
KSR52(w)

KSR54(w)  
KSR60(w)  
KSR66(w)  
KSR72(w)  
KSR84(w)  
KSR96(w)

## Knee Space Panels

24" high - for sitting applications with apron

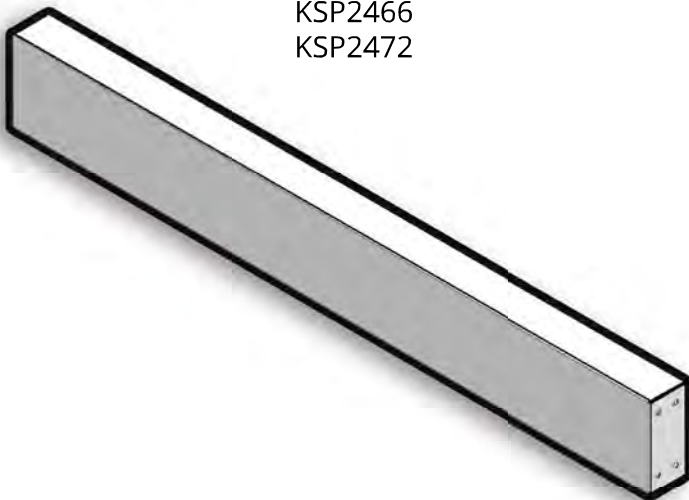
KSP2424  
KSP2430  
KSP2436  
KSP2442  
KSP2448  
KSP2454  
KSP2460  
KSP2466  
KSP2472

29" high - for standing applications with apron, or sitting without an apron

KSP2924  
KSP2930  
KSP2936  
KSP2942  
KSP2948  
KSP2954  
KSP2960  
KSP2966  
KSP2972

35" high - for standing applications without an apron

KSP3524  
KSP3530  
KSP3536  
KSP3542  
KSP3548  
KSP3554  
KSP3560  
KSP3566  
KSP3572



# Utility Tables

Utility tables come in standard heights of 29" and 35" and standard depths of 22" and 28".  
The numbers after the dash indicate the number of drawers in a unit.

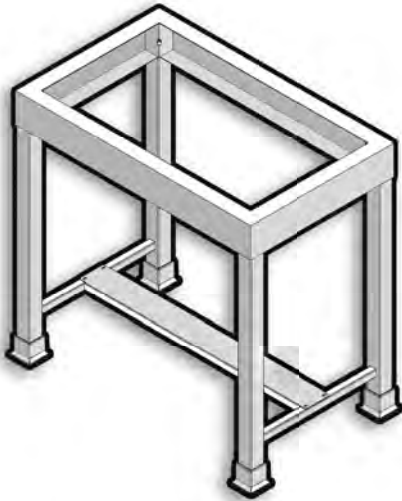


Table29(h)24(w)22(d)-000  
Table29(h)30(w)22(d)-000  
Table29(h)36(w)22(d)-000  
Table29(h)42(w)22(d)-000  
Table29(h)48(w)22(d)-000  
Table29(h)60(w)22(d)-000  
Table29(h)72(w)22(d)-000

Table29(h)24(w)28(d)-000  
Table29(h)30(w)28(d)-000  
Table29(h)36(w)28(d)-000  
Table29(h)42(w)28(d)-000  
Table29(h)48(w)28(d)-000  
Table29(h)60(w)28(d)-000  
Table29(h)72(w)28(d)-000

Table35(h)24(w)22(d)-000  
Table35(h)30(w)22(d)-000  
Table35(h)36(w)22(d)-000  
Table35(h)42(w)22(d)-000  
Table35(h)48(w)22(d)-000  
Table35(h)60(w)22(d)-000  
Table35(h)72(w)22(d)-000

Table35(h)24(w)28(d)-000  
Table35(h)30(w)28(d)-000  
Table35(h)36(w)28(d)-000  
Table35(h)42(w)28(d)-000  
Table35(h)48(w)28(d)-000  
Table35(h)60(w)28(d)-000  
Table35(h)72(w)28(d)-000

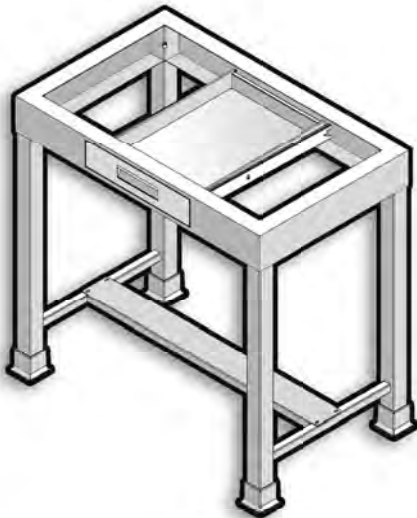


Table29(h)24(w)22(d)-001  
Table29(h)30(w)22(d)-001  
Table29(h)36(w)22(d)-001  
Table29(h)42(w)22(d)-001

Table29(h)24(w)28(d)-001  
Table29(h)30(w)28(d)-001  
Table29(h)36(w)28(d)-001  
Table29(h)42(w)28(d)-001

Table35(h)24(w)22(d)-001  
Table35(h)30(w)22(d)-001  
Table35(h)36(w)22(d)-001  
Table35(h)42(w)22(d)-001

Table35(h)24(w)28(d)-001  
Table35(h)30(w)28(d)-001  
Table35(h)36(w)28(d)-001  
Table35(h)42(w)28(d)-001

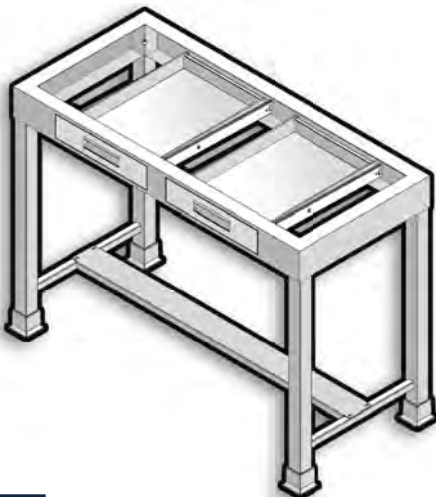


Table29(h)48(w)22(d)-002  
Table29(h)60(w)22(d)-002  
Table29(h)72(w)22(d)-002

Table29(h)48(w)28(d)-002  
Table29(h)60(w)28(d)-002  
Table29(h)72(w)28(d)-002

Table35(h)48(w)22(d)-002  
Table35(h)60(w)22(d)-002  
Table35(h)72(w)22(d)-002

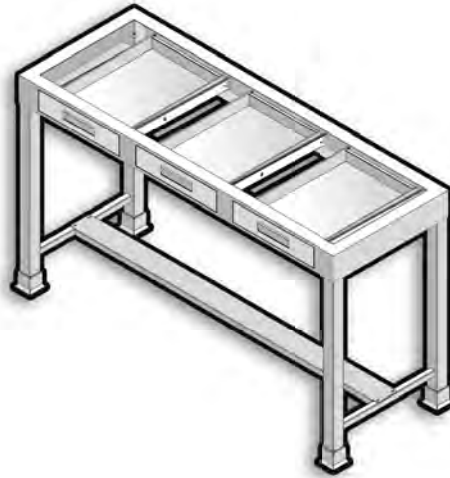
Table35(h)48(w)28(d)-002  
Table35(h)60(w)28(d)-002  
Table35(h)72(w)28(d)-002



# Utility Tables

Table29(h)72(w)22(d)-003  
 Table35(h)72(w)22(d)-003

Table29(h)72(w)28(d)-002  
 Table35(h)72(w)28(d)-002



# Filler Panels

Standard filler panels for base cabinets are 35" high; standard filler panels for floor cases are 84" high. Custom sizes are available.



**C - Filler**

C- Filler35(h)8(w)  
 C- Filler35(h)14(w)



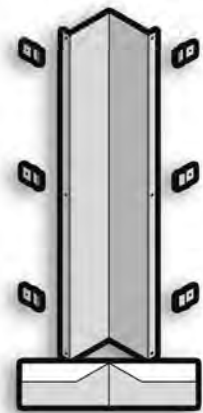
**L - Filler**

L- Filler35(h)1(w)  
 L- Filler35(h)7(w)  
 L- Filler35(h)11(w)



**C - Front Filler**

C-FrontFiller35(h)8(w)  
 C-FrontFiller35(h)14(w)



**Corner Filler**

Corner Filler 35(h)1(w)  
 Corner Filler 35(h)7(w)  
 Corner Filler 35(h)11(w)



**L - Front Filler**

L- Front Filler35(h)18(w)  
 L- Front Filler35(h)14(w)

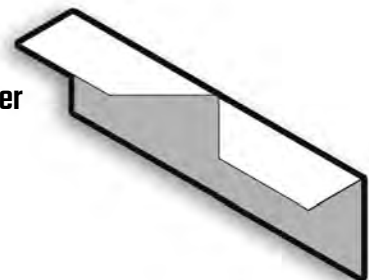


**Floor Case Filler**

L- Front Filler84(h)2(w)  
 L- Front Filler84(h)8(w)

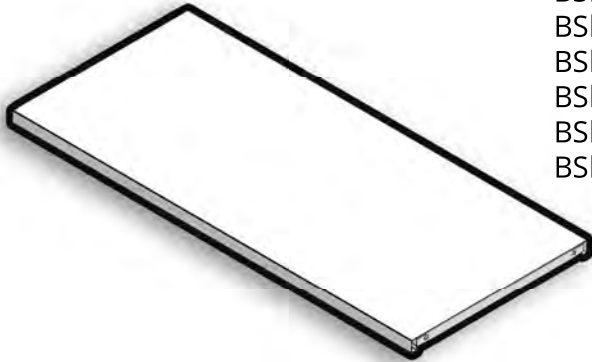
**Toe Case Filler**

TS - Filler



# Accessories

## Additional Shelf (with brackets)

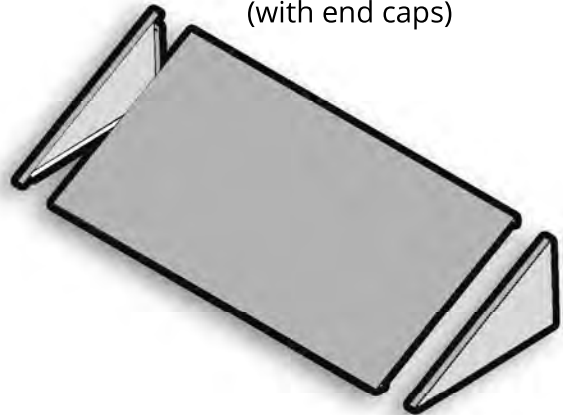


BShelf 15(w)22(d)  
 BShelf 18(w)22(d)  
 BShelf 21(w)22(d)  
 BShelf 24(w)22(d)  
 BShelf 30(w)22(d)  
 BShelf 36(w)22(d)  
 BShelf 42(w)22(d)  
 BShelf 48(w)22(d)

WShelf18(w)13(d)  
 WShelf24(w)13(d)  
 WShelf30(w)13(d)  
 WShelf36(w)13(d)  
 WShelf42(w)13(d)  
 WShelf48(w)13(d)  
 WShelf18(w)16(d)  
 WShelf24(w)16(d)  
 WShelf30(w)16(d)  
 WShelf36(w)16(d)  
 WShelf42(w)16(d)  
 WShelf48(w)16(d)

FShelf18(w)16(d)  
 FShelf24(w)16(d)  
 FShelf30(w)16(d)  
 FShelf36(w)16(d)  
 FShelf42(w)16(d)  
 FShelf48(w)16(d)  
 FShelf18(w)21(d)  
 FShelf24(w)21(d)  
 FShelf30(w)21(d)  
 FShelf36(w)21(d)  
 FShelf42(w)21(d)  
 FShelf48(w)21(d)

## Slope Top (with end caps)



S-Top 13(d)18(w)	S-Top 16(d)18(w)	S-Top 21(d)18(w)
S-Top 13(d)24(w)	S-Top 16(d)24(w)	S-Top 21(d)24(w)
S-Top 13(d)30(w)	S-Top 16(d)30(w)	S-Top 21(d)30(w)
S-Top 13(d)36(w)	S-Top 16(d)36(w)	S-Top 21(d)36(w)
S-Top 13(d)42(w)	S-Top 16(d)42(w)	S-Top 21(d)42(w)
S-Top 13(d)48(w)	S-Top 16(d)48(w)	S-Top 21(d)48(w)

## Pull-Out Shelf (for base cabinets)

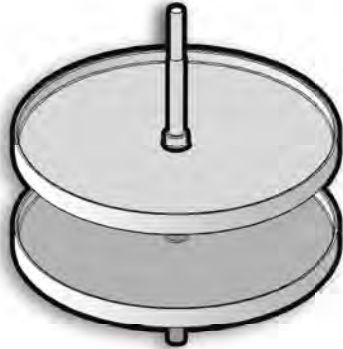


PO-Shelf 15(w)  
 PO-Shelf 18(w)  
 PO-Shelf 21(w)  
 PO-Shelf 24(w)  
 PO-Shelf 30(w)  
 PO-Shelf 36(w)  
 PO-Shelf 42(w)  
 PO-Shelf 48(w)

Full extension; ball bearing slides

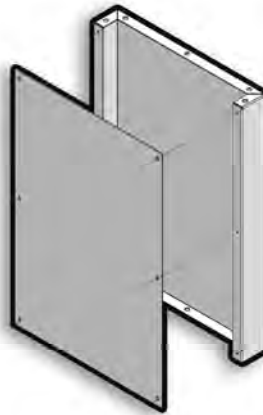
# Accessories

**Lazy Susan**  
(For corner base cabinets)



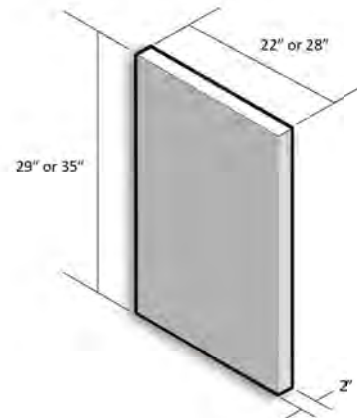
LSusan-29(h)  
LSusan-35(h)

**Reagent Shelf Upright**



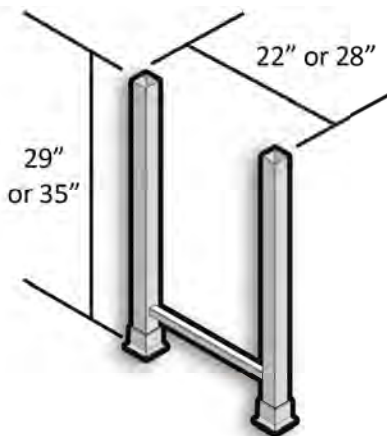
RSUpright18(h)12(d)2(w)  
\* Special sizes and options available upon request.

**End Pedestal**



EndPed29(h)02(w)22(d)  
EndPed35(h)02(w)22(d)  
EndPed29(h)02(w)28(d)  
EndPed35(h)02(w)28(d)

**Table Legs**



Leg 29-22  
Leg 35-22

Leg 29-28  
Leg 35-28

**Single Leg**



S Leg 29  
S Leg 35

**Single Leg (with plate)**



S Leg 29P  
S Leg 35P

**Wall Case Corner Filler\***



Specify width ("W")  
with order  
WCCF24-W  
WCCF30-W  
WCCF36-W  
WCCF48-W

**Wall Case Front Filler\***



Specify width ("W")  
with order  
WCFF24-W  
WCFF30-W  
WCFF36-W  
WCFF48-W

\* Wall case corner and front fillers are standard at 13" deep. To order 16"-deep fillers, add the suffix -16(deep) after the product number.

## Fume Hoods

Safety is the cornerstone on which we build each and every fume hood. Both our bench-top and floor-mounted fume hoods are tested to the ASHRAE 110 standard and have been proven over time to be of the highest quality and have been designed and manufactured to meet the most stringent safety and operational requirements.

We offer a wide range of models for any application and are also a leader in custom fume hood design and manufacturing. We offer you the flexibility to design your laboratory space without the constraints of bulky, one-size-fits-all equipment. Attention to detail, premium steel construction, and expert craftsmanship, backed by our industry best warranty and short lead times is what sets us apart from our competition. Contact us today and let us help you with your next laboratory project.



# Bench-top Fume Hood Options

## Left Hand and Right Hand Post Options

Light Switch  
Blower Switch  
Blank Cover Plate  
Alarm

GFI Duplex  
GFI Simplex  
Standard Duplex  
Standard Simplex

## Interior Liner Options

Polyresin (Standard)  
Stainless Steel T304  
Fixed Baffle (Non Standard)

## Alarm and Controller Options

AFA 500 Airflow Monitor  
AFA 1000 Airflow Monitor w/Digital Display  
AFA 4000/2 VAV Controller  
Sash Alarm

## Width Options

36"  
48"  
60"  
72"  
96"

## Plumbing Pre-Piping Options

Copper Pre-pipe Down  
Copper Pre-pipe Up  
Flex Hose

## Cabinet Options

Acid  
Flammable  
Hood Base  
Sink Base

## Sash Configuration Options

Vertical Sash (Standard)  
Horizontal Sash  
Combination Sash  
Interlocking Sash (Double Entry Only)

## Lighting Options

LED (Standard)  
Explosion Proof Light

## Additional Options

ADA Front Post Configuration  
Ceiling Enclosure  
Sash Stops  
Corrosion Resistant Hardware



# Defender Series

The Defender Series fume hood has been the workhorse of our product offering for several years. With a sturdy 16-gage steel superstructure framework and removable side panels for easy access to plumbing and electrical components, it is one of the strongest and most durable fume hoods on the market. Backed by our industry leading 10-year limited warranty, you can be assured you are getting the best quality hood and a worry-free investment for your next project.

## Standard Features

- Poly Resin Liner
- Powder Coat
- Stainless steel sash frame, sash guide, finger pull and airfoil.
- Three piece baffle system.
- High-flow louvered front panel providing linear, non-turbulent transition between face opening and bypass air.
- LED lighting for improved work space visibility.
- Sash pulley system utilizing four 2 1/2"-diameter pulley for one finger sash operation.
- Available in CAV and VAV styles.

## Options

- Electrical switches and receptacles. (Explosion-proof lighting and fixtures available).
- Remote-controlled plumbing fixtures, with color-coded outlets.
- Pre-piped flex hosing or hard copper with soldered joints.
- Choice of sashes – vertical rising (standard); top-hung horizontal sliding; combination (vertical /horizontal); interlocking vertical (disappearing post).
- Sash stop.
- Ceiling enclosure.
- Air velocity monitor/alarm.
- Automatic sash closer.
- Counter-tops – epoxy, phenolic, stainless steel.
- Cabinets – complete line of metal laboratory casework, including hood base, acid storage and flammable storage cabinets.
- Blowers – selected to match hood and ductwork configuration, corrosive or ignitable exhaust fumes.



# AirGuard Pro Series

The AirGuard Pro Series fume hood offers the maximum in flexibility and performance with its 16-gauge superstructure allowing it to be customized to accommodate a variety of laboratory equipment and procedures. Designed to provide smooth, laminar airflow across the face of the hood, the LA Series ensures a safe working environment for its user. The angled front post design improves airflow giving it the perfect blend of affordability, efficiency, and flexibility for institutional, industrial, or clinical laboratories.

## Standard Features

- Poly Resin Liner
- Powder Coat
- Stainless steel sash frame, sash guide, finger pull and airfoil.
- Three piece baffle system.
- High-flow louvered front panel providing linear, non-turbulent transition between face opening and bypass air.
- LED lighting for improved work space visibility.
- Sash pulley system utilizing four 2 1/2"-diameter pulley for one finger sash operation.

Available in CAV and VAV styles.

## Options

- Electrical switches and receptacles. (Explosion-proof lighting and fixtures available).
- Remote-controlled plumbing fixtures, with color-coded outlets.
- Pre-piped flex hosing or hard copper with soldered joints.
- Choice of sashes – vertical rising (standard); top-hung horizontal sliding; combination (vertical /horizontal); interlocking vertical (disappearing post).
- Sash stop.
- Ceiling enclosure.
- Air velocity monitor/alarm.
- Automatic sash closer.
- Counter-tops – epoxy, phenolic, stainless steel.
- Cabinets – complete line of metal laboratory casework, including hood base, acid storage and flammable storage cabinets.
- Blowers – selected to match hood and ductwork configuration, corrosive or ignitable exhaust fumes.



# Floor Mounted Series

Our floor-mounted hood is designed to handle large laboratory equipment with roll-in accessibility and can be customized to the width and depth necessary for your application. The full airfoil design of the AirGuard Pro Series side posts promotes smooth airflow around the sash perimeter while offering several different sash options including fully closing vertical or horizontal hung.

## Standard Features

- Welded superstructure for structural rigidity and design flexibility to contain large equipment and conveyances.
- Three-piece baffle system with three adjustable dampers to regulate lighter-than-air and heavier-than-air gases.
- Airfoil around top and sides of sash opening, with electrical fixtures and plumbing controls mounted on bias surface.
- Louvered Bypass.
- Two independent, full-framed, stainless steel vertical sash with integral stainless steel finger pulls.
- Stainless steel sash guides, duct collar.
- Sash/counterweight pulley system utilizing four 2 ½"-diameter pulleys for one-finger sash movement; full-width counterweight featuring "Tilt-Lock" for additional safety and durability.
- LED lighting to improve work space visibility.

## Options

- Custom Sizes
- Liner material – choice of nine non-asbestos materials
- Electrical switches and receptacles. Also explosion-proof lighting and fixtures available.
- Remote-controlled plumbing fixtures, with chrome or color-coded outlets. Pre-piped hard copper with soldered joints.
- Choice of sashes – vertical rising (standard); top-hung horizontal sliding; combination (vertical /horizontal)
- Ceiling enclosure
- Air velocity monitor/alarm
- Auxiliary air bonnet – supplements room air by supplying 70% of hood air from outside the building. Requires its own blower and duct.
- Automatic sash closer
- Work surface – cast epoxy, dished or flat
- Blowers – selected to match hood and duct work configuration, corrosive or ignitable exhaust fumes



*Open Doors*



*Closed Doors*



**On the web:** [www.labfurniture.com](http://www.labfurniture.com)

**Sales:** [sales@labfurniture.com](mailto:sales@labfurniture.com)

**Call us:** 269.779.0554

